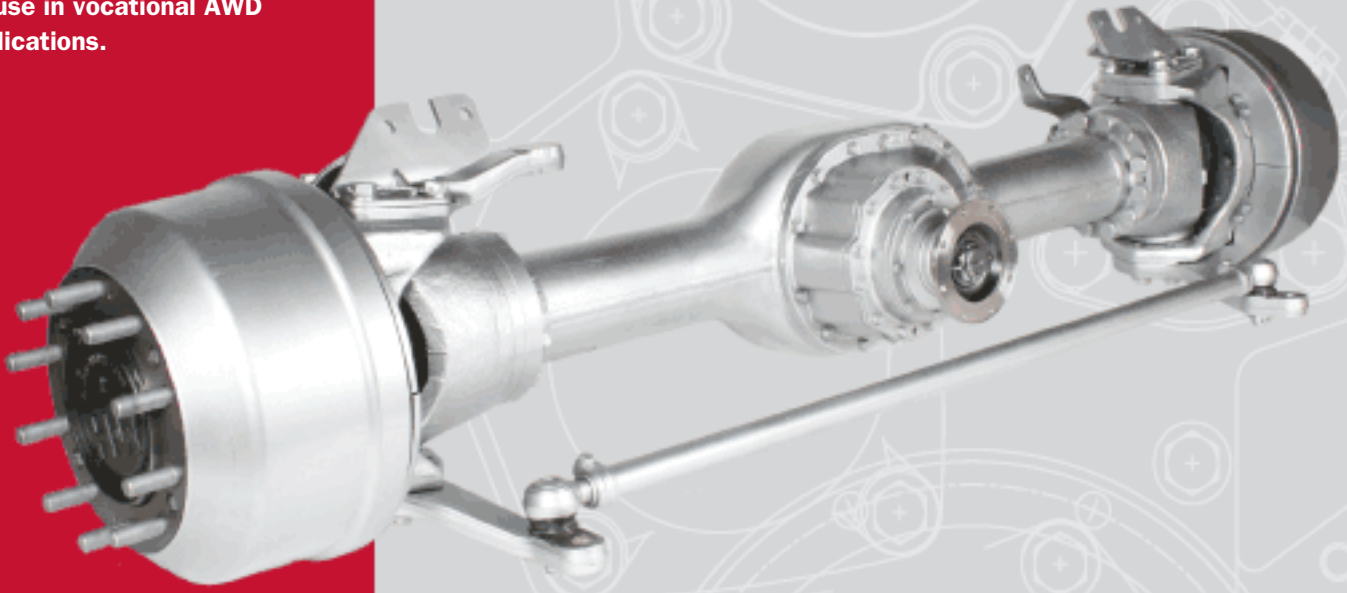


MT-17

Steerable Driving Axle

Heavy-duty front drive axle for use in vocational AWD applications.

Marmon-Herrington



Capacity (at ground): 12,000 to 16,000#*

Reductions Available: 4.25, 4.56, 4.92, 5.29, 5.38, 5.65, 5.83, 6.11, 6.27, 6.68, 7.14, 7.72, 8.36, 8.52

Planetary Hub Reduction: 3.461:1

Axle Type: Full-Floating Front-Driving Steering Axle

Pinion Joint Series: Spicer 1480, 1550, or 1610 / Meritor 148, 155, or 161 / SPL

Steering Joint Type: Double Cardan

Axle Housing: Steel Forging, 10.38 inch³S.M. @ Pad

Crimp Angles: 42°

Camber: 1°

King-Pin Inclination: 7°

Toe-in: 1/16" – 1/8"

Wheel Mount: Hub Piloted 285.75MM B.C., 10-Stud

Wheel Mounting Distance: 94"

Track: Approximately 80"

Axle Mounting: Spring Centers and Pad Width to Vehicle Requirements

Approximate Axle Weight: 1,750#

Service Brakes: 16 1/2" x 7" Air, S-Cam, Type 20 Chambers, Automatic Slack Adjusters Standard

ABS Hub Compatibility: Standard

Input Rotation: Counter Clockwise

OPTIONS:

Wheel Mount: 10-Stud x 11.250" B.C.

Differential Lock: Driver Controlled Limited-Slip Differential Lock

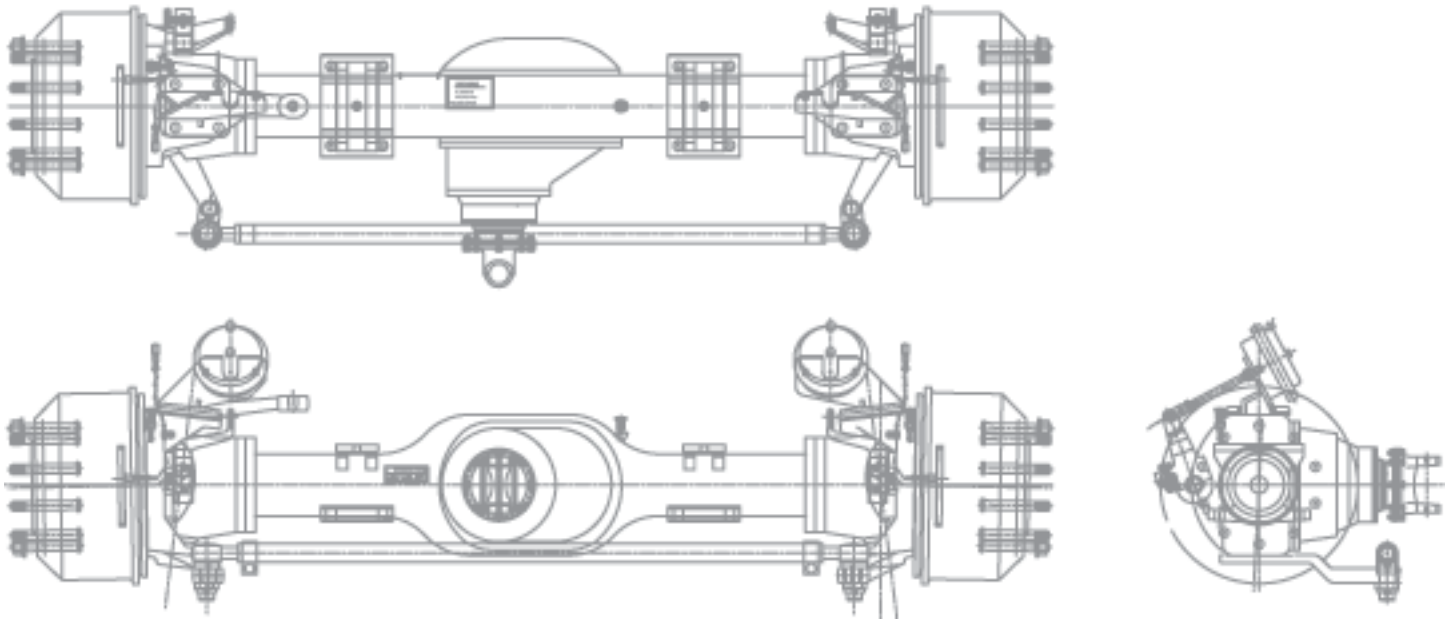
* (All applications must be approved by Marmon-Herrington Engineering)

Driving power since 1931.

MT-17

Steerable Driving Axle

Marmon-Herrington



** For dimensional information, please contact Marmon-Herrington.*

Marmon-Herrington:

**A legacy of
engineering
excellence that
lives on today.**

For over 75 years, Marmon-Herrington has been pioneering driving solutions that keep fleets moving and provide long-term value. Among our inventions: the Marmon Wasp, the first car ever to win the Indianapolis 500; double-cardan steering joints and low-profile differentials. Today, we're known for our full line of dependable axle systems

with premium components, product flexibility and best-in-class support.

Whether you're an OEM ready to outfit a fleet or a fleet manager looking for a kitting solution, Marmon-Herrington has the right system to get the job done and keep you moving. To learn more, call us at (800) 227-0727.

