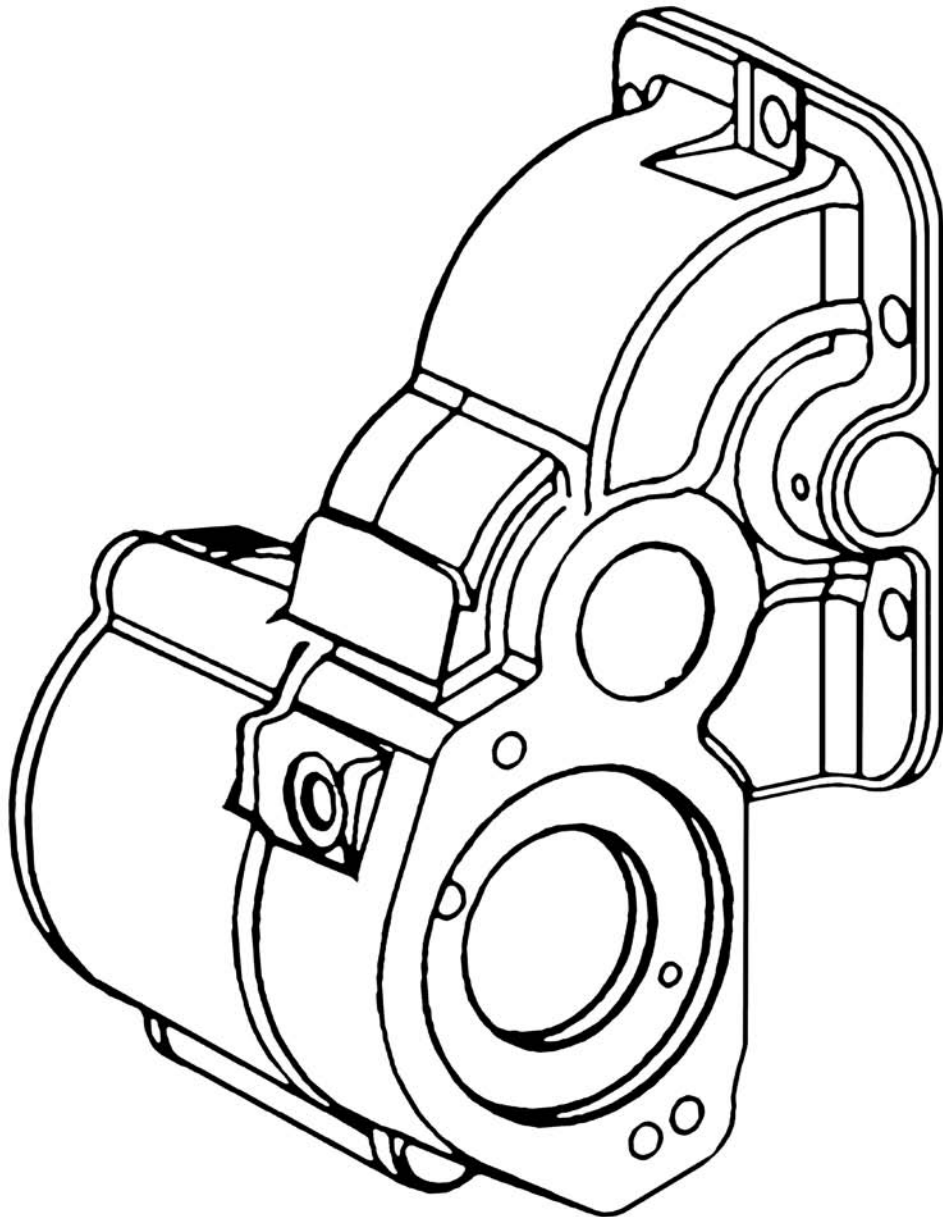




FR SERIES PTO

PARTS LIST AND SERVICE MANUAL

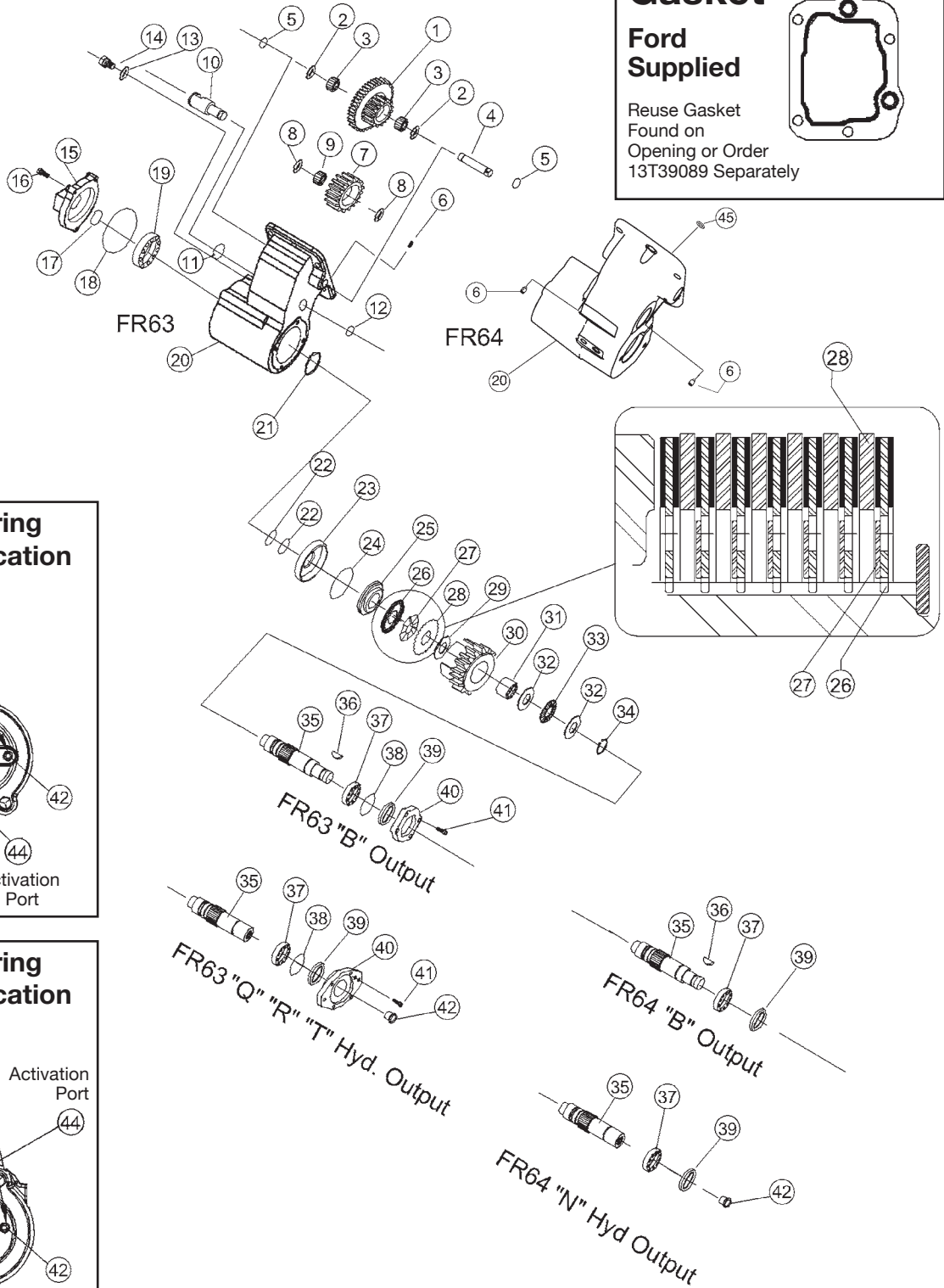
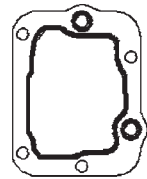


FR63/FR64 SERIES PTO EXPLODED VIEW

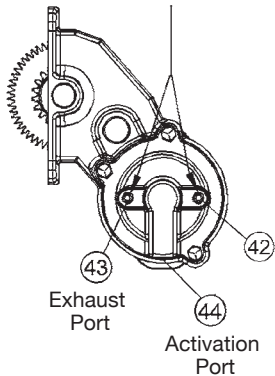
Gasket

**Ford
Supplied**

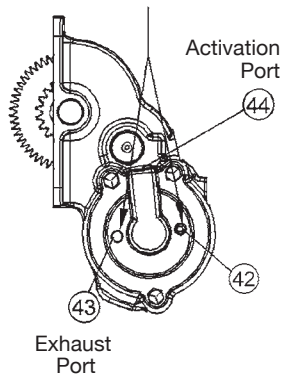
Reuse Gasket
Found on
Opening or Order
13T39089 Separately



FR63 Bearing Removal Location



FR64 Bearing Removal Location



FR SERIES PARTS LIST AND DESCRIPTION

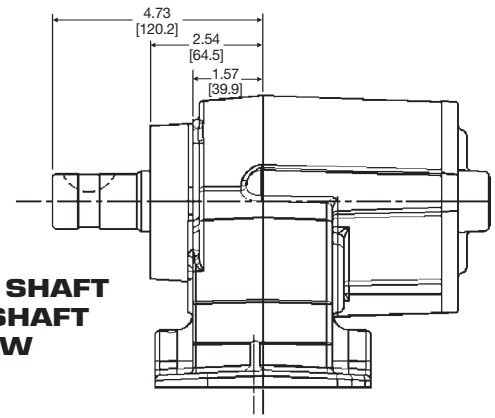
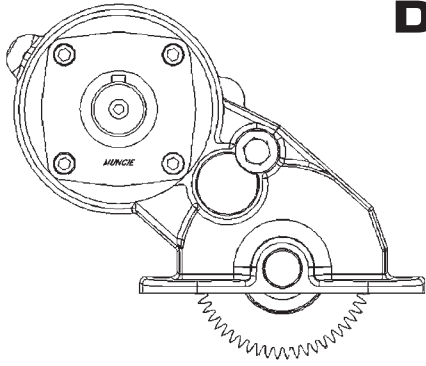
FR62 SERIES IS OBSOLETE AND REPLACED BY FR63 SERIES UNIT

ITEM	QTY	PART NO.	DESCRIPTION
01	1	03T39073	Gear
02	2	21T38956	Washer
03	2	10T34006	Bearing
04	1	07T38865	Shaft
05	2	12T36879	O-Ring
06	1	19T36249	Setscrew (FR63)
	2	19T34789	Setscrew (FR64)
07	1	04T39180	Gear
08	2	21T39144	Washer
09	1	10T39145	Bearing
10	1	08T39258	Shaft (FR63)
		08T39075	Shaft (FR64)
11	1	12T36456	O-Ring
12	1	12T35577	O-Ring
13	1	21T38862	Washer (FR63)
14	1	19M10001	Bolt (FR63)
15	1	15T39263	Cover (FR63)
		15T39070	Cover (FR64)
16	3	19T32740	Bolt
17	1	12T36280	O-Ring
18	1	12T36279	O-Ring (FR63)
		12T37278	O-Ring (FR64)
19	1	12T37278	O-Ring
20	1	01T39269	Housing (FR63)
		01T40710	Housing (FR64)
21	1	24T39182	Snap Ring
22	2	12T39023	O-Ring
23	1	49T39022	Cup
24	1	12T36540	O-Ring
25	1	49T38881	Piston
26	7	49T36259	Friction Disc
27	6	27T36286	Spring
28	6	49T36258	Reaction Plate
29	1	21T37085	Washer

ITEM	QTY	PART NO.	DESCRIPTION
30	1	02T39074	Gear Output
31	1	10T37008	Bearing
32	2	21T29017	Washer
33	1	10T37009	Bearing
34	1	24T35480	Snap Ring
35	1	06T39184	Hydraulic Shaft "N" (FR64)
		06T39197	Output Shaft "B" (FR64)
		06T39386	Output Shaft "B" (FR63)
		06T39387	Output Shaft "T" (FR63)
		06T39388	Output Shaft "R" (FR63)
		06T39262	Output Shaft "Q" (FR63)
36	1	25T35520	Caplug "R" Output Opt. (FR64)
		25T37387	Caplug "N", "T", "Q" Output
		26T01627	Key ("B" Output)
37	1	10T21017	Bearing (FR63)
		10T39147	Bearing (FR64)
38	1	12T36751	O-Ring (FR63)
39	1	11T37790	Seal
40	1	14T37344	Adapter "B" Output Opt. (FR63)
		14T39141	Adapter R, Q, T Output Opt. (FR63)
41	4	19T39257	Bolt
42	2	25T21684	Plug
43	2	25T34029	Caplug
44	2	25T37702	Caplug
45	1	12T36881	O-Ring (FR64)
N.S.	1	FR63GSK	FR63 Gasket Kit
N.S.	1	FR64GSK	FR64 Gasket Kit
N.S.	1	FR63RBK	FR63 Rebuild Kit
N.S.	1	FR64RBK	FR64 Rebuild Kit

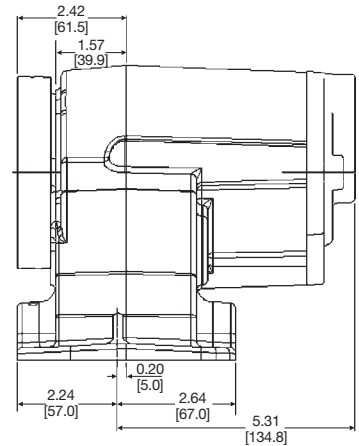
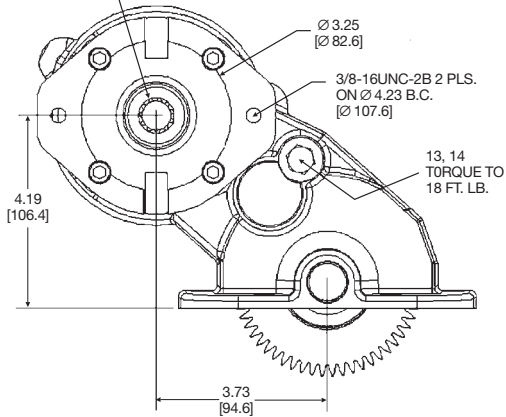
FR63 SERIES DIMENSIONS

IN INCHES (MM)



"B" OUTPUT SHAFT
1-1/4 RD SHAFT
5/16 KW

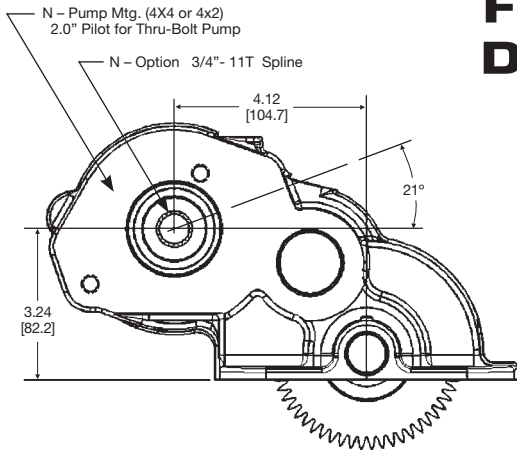
Q-Shaft Option - 7/8" 13T Spline
R-Shaft Option - 5/8" 9T Spline
T-Shaft Option - 3/4" 11T Spline



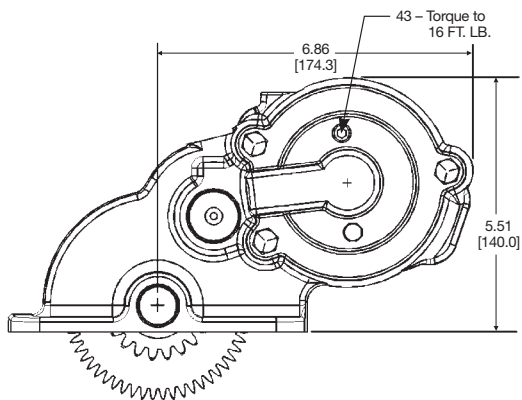
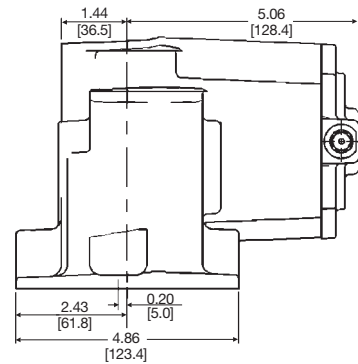
"Q", "R", "T"
OUTPUT SHAFT

FR64 SERIES DIMENSIONS

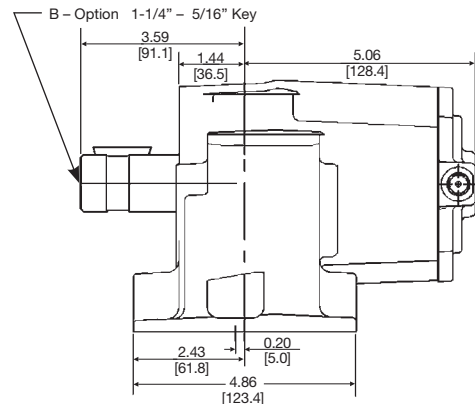
IN INCHES (MM)



"N" OPTION



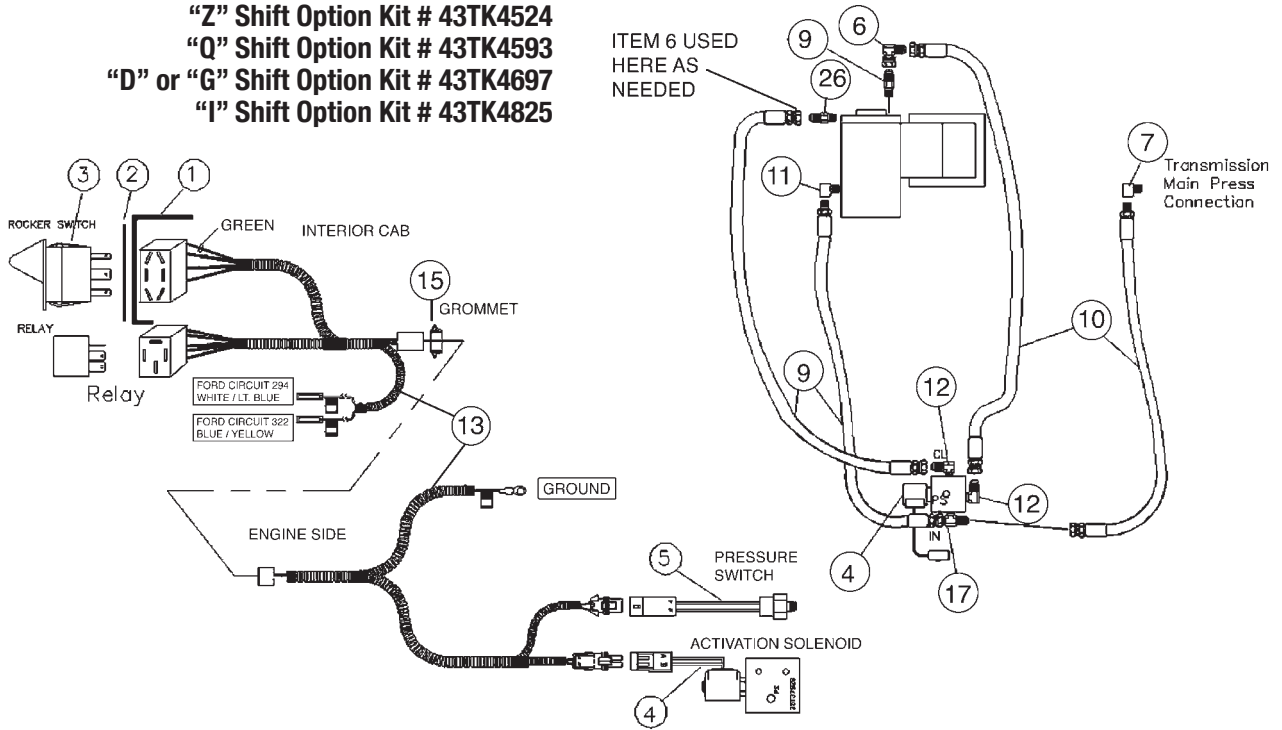
"B" OPTION



PARTS LIST - KITS INCLUDED WITH FR SERIES

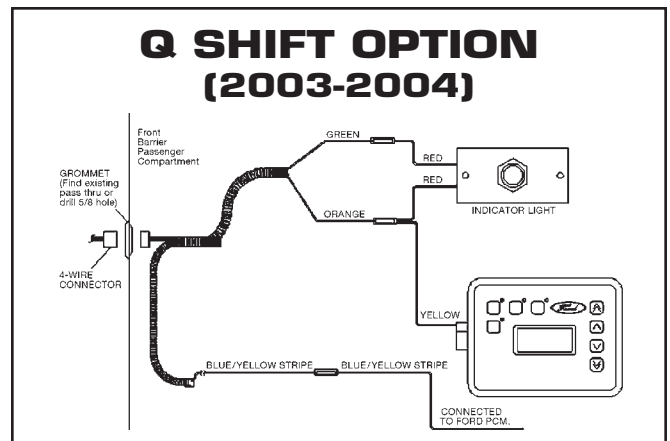
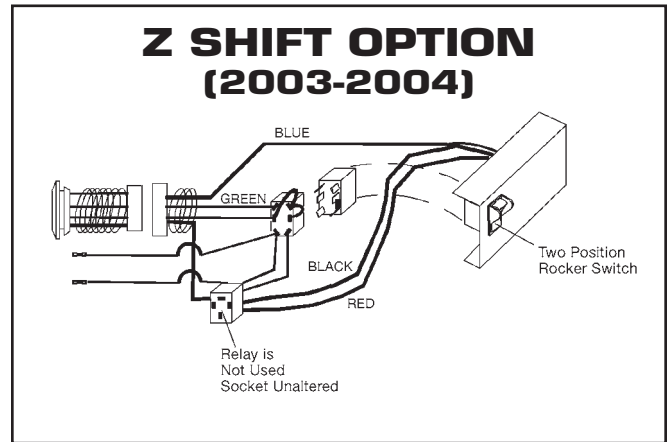
SHIFT OPTIONS FOR

- Standard "H" Shift Option Kit # 43TK4521
- "Z" Shift Option Kit # 43TK4524
- "Q" Shift Option Kit # 43TK4593
- "D" or "G" Shift Option Kit # 43TK4697
- "I" Shift Option Kit # 43TK4825

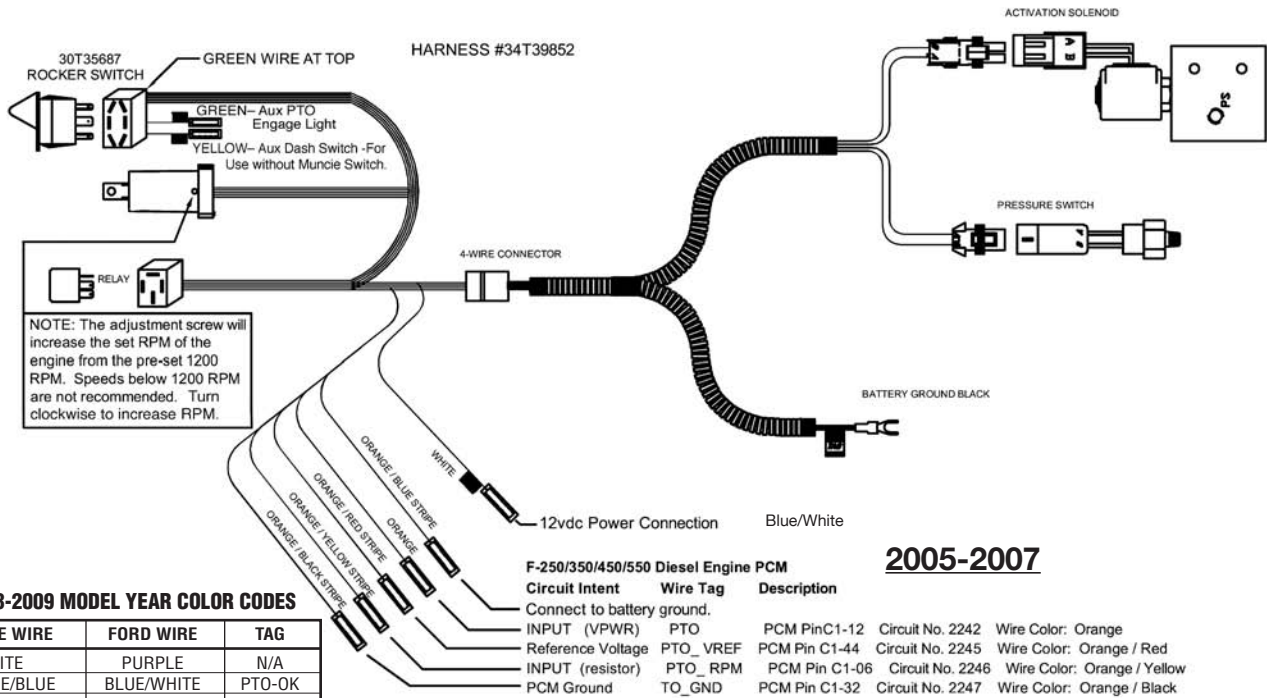


ACTIVATION KIT

ITEM	QTY	PART NO.	DESCRIPTION
01	1	36MA1005	Switch Bracket (H, Z Option)
02	1	36T36271	Face Plate (H, I, Z Option)
03	1	30T37620	Rocker Switch 12V (H Option)
		30T35687	Rocker Switch 12V (Z, D, G Option)
		N.R.	"Q" Option (No Switch)
		30T37752	Rocker Switch 12V (I Option)
04	1	35T37928	12V Solenoid Valve Block
05	1	30T37954	Pressure Switch
06	2	43T36445	JIC Elbow
07	1	44MB0222	NPT Elbow
08	1	43T37503	JIC Adapter
09	2	45T36274	Hose Assembly 28" (Jic - Jic)
10	2	45M4R528	Hose Assembly 28" (Npt - Jic)
11	1	43T37385	Orifice Elbow
12	2	43M68014	JIC Fitting 90
13	1		See Wiring Harness Chart Below
15	1	37T35674	Rubber Grommet
17	1	43T36231	Tee Fitting
N.S.	2	19T36623	Cap Screw, Solenoid Mtg.
N.S.	2	22T35140	Nut, Solenoid Mtg.
N.S.	2	21T37991	Lock Washer, Solenoid Mtg.
26	1	43T36431	ODT/JIC Adapter
N.S.	6	28T35442	Cable Ties
N.S.	1	36MK1007	Bolt Kit, Switch Bracket
			WIRING HARNESS REQUIRED
13	1	34T39032	Harness (H) Shift Option
		34T39599	Harness (Q) Shift Option
		34T39185	Harness (Z) Shift Option
		34T39852	Harness (D) Shift Option
		34T39851	Harness (G) Shift Option
		34T40128	Harness (I) Shift Option
	1	37T37621	Relay Shown Incl. in Harness 34T39032



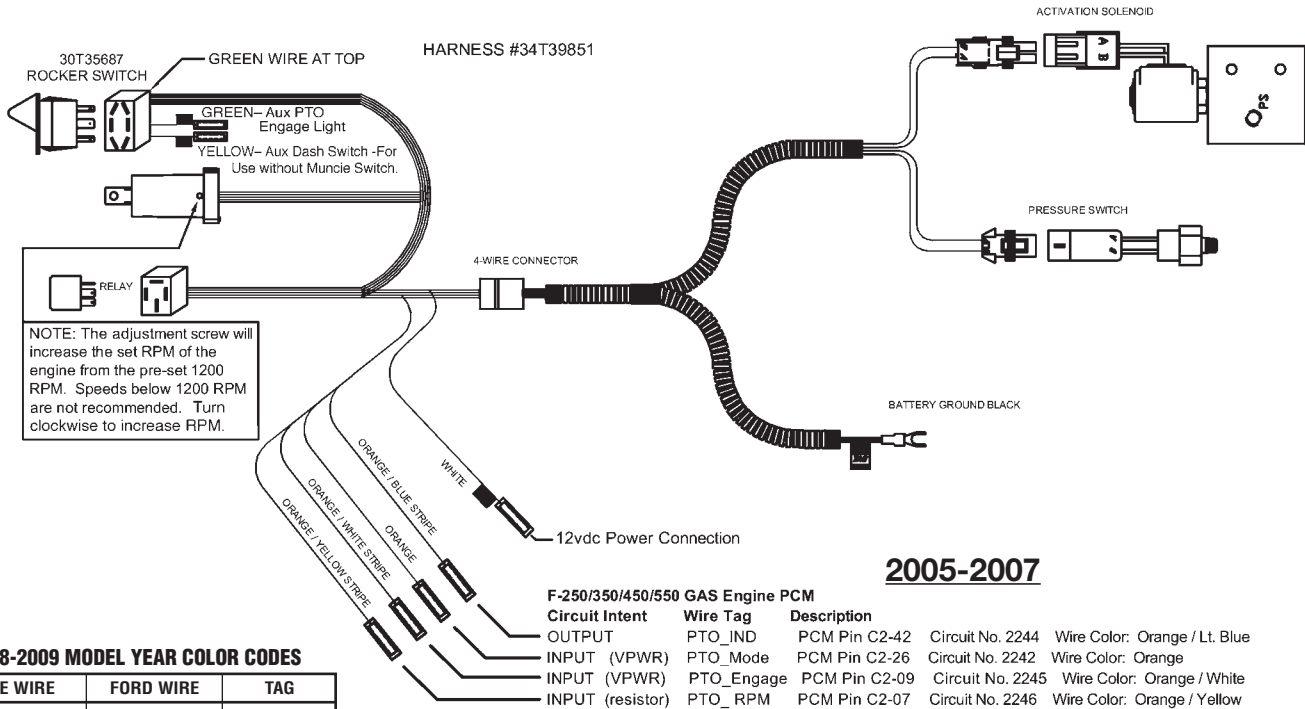
FORD 2005 AND LATER - DIESEL ENGINE FR SERIES "D" SHIFT OPTION HARNESS



2008-2009 MODEL YEAR COLOR CODES

MUNCIE WIRE	FORD WIRE	TAG
WHITE	PURPLE	N/A
ORANGE/BLUE	BLUE/WHITE	PTO-OK
ORANGE	YELLOW/GREEN	PTO
ORANGE/RED	WHITE/BROWN	PTO-VREF
ORANGE/YELLOW	GREEN	PTO-RPM
ORANGE/BLACK	GREY/PURPLE	PTO-GND

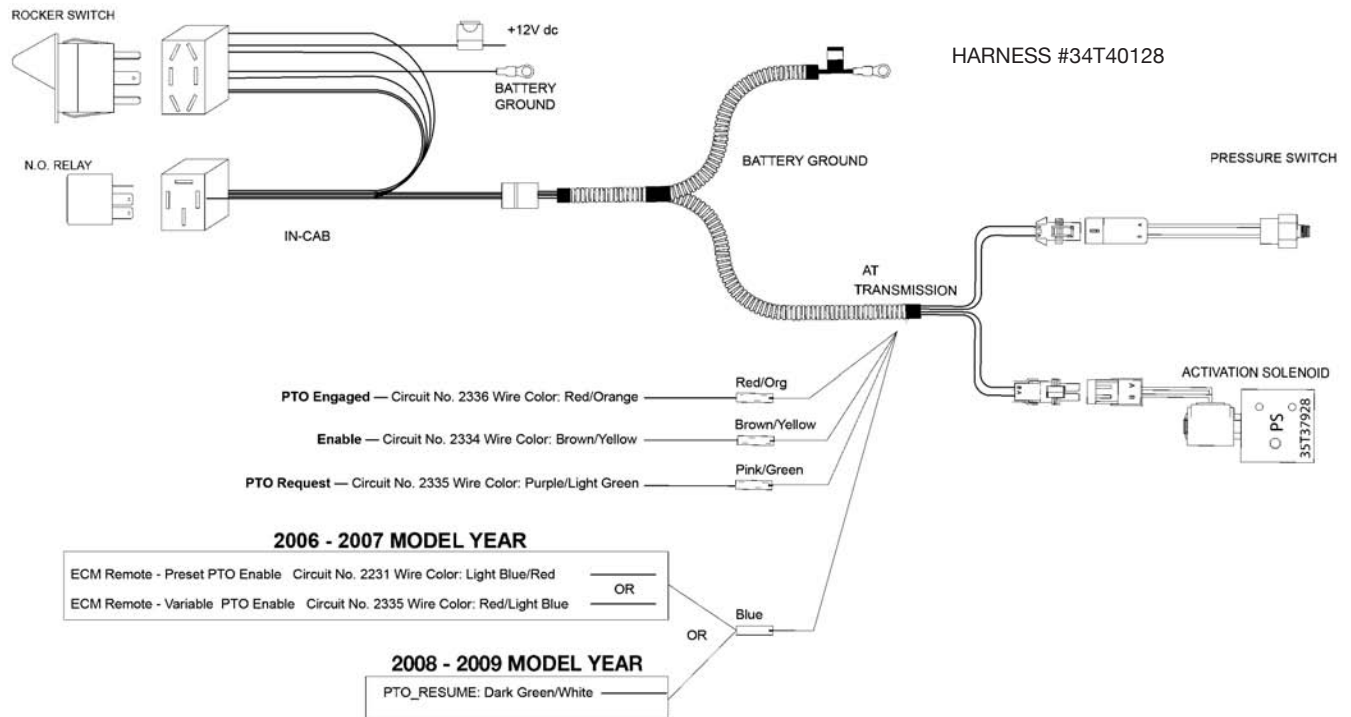
FORD 2005 AND LATER - GAS ENGINE FR SERIES "G" SHIFT OPTION HARNESS



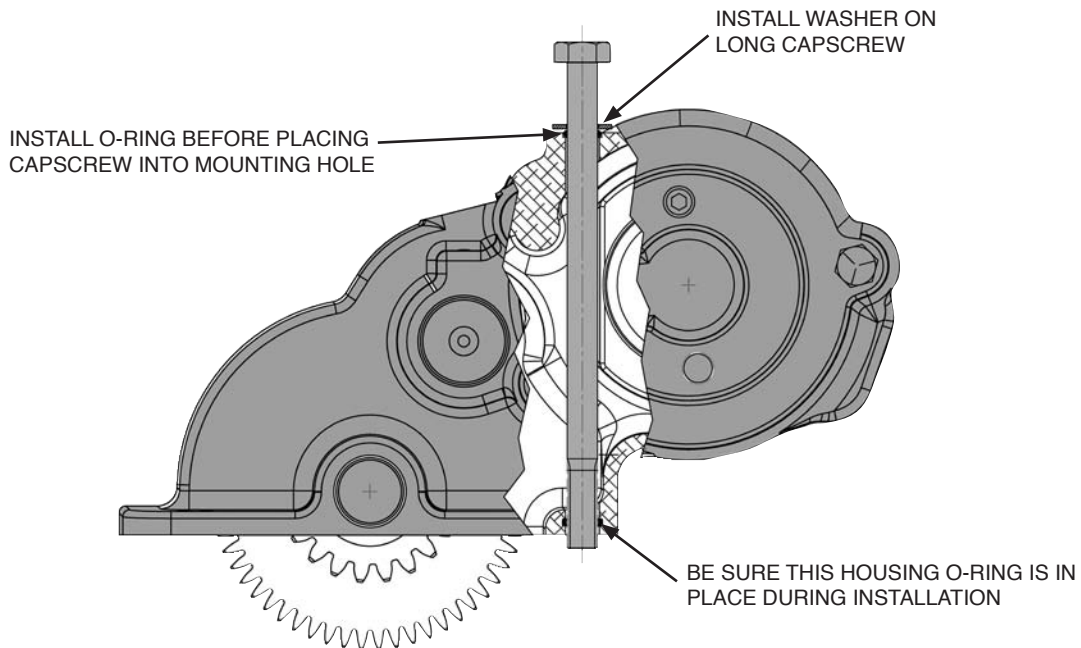
2008-2009 MODEL YEAR COLOR CODES

MUNCIE WIRE	FORD WIRE	TAG
WHITE	PURPLE	N/A
ORANGE/BLUE	BLUE/WHITE	PTO-OK
ORANGE	YELLOW/GREEN	PTO
ORANGE/WHITE	BLUE/GREEN	PTO-ENGAGE
ORANGE/YELLOW	GREEN	PTO-RPM

2006 AND LATER - CF SERIES WITH FORD AUTOMATIC TRANSMISSION "I" SHIFT OPTION HARNESS



FR64 THRU-BOLT INSTALLATION

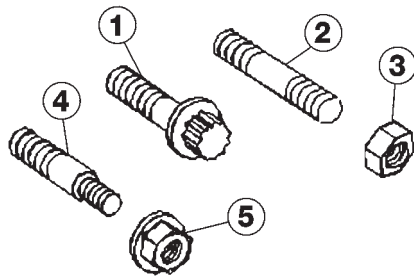


MODEL NUMBER CONSTRUCTION

<p>PTO TYPE Ford Automatic — FR</p> <p>MOUNTING SAE 6 Bolt Mount 4x2 Chassis — 63 SAE 6 Bolt Mount 4x4 Chassis — 64</p> <p>TRANS. — FA GEAR DATA Ford 14.23P 17.9°PA 18° LH — F15</p> <p>SPEED RATIO 06 — 0.583:1</p> <p>SHIFTER TYPE Electric/Hydraulic (12 Volt) (2003-04) — H APCM Option (2003-04) — Q Special 2 Pos Switch (2003-04) — Z Std 2005 (Diesel Eng) — D Std 2005 (Gas Eng) — G LCF/CF Chassis — I</p>	<p>FR 64 - F15 06 - H 4 T X</p>	<p>SPECIAL FEATURE X — None</p> <p>OUTPUT TYPE B — 1-1/4 Round 5/16 KW N — 3/4 - 11 Spl. - Special (FR64) Q — 7/8 - 13 Spl. (FR63) R — 5/8 - 9 Spl. - 2 Bolt "A" (FR63) T — 3/4 - 11 Spl. - 2 Bolt "A" (FR63) W — 3/4 - 11 Spl. - 2 Bolt "A" (Tandem Pump) (FR63)</p> <p>ASSEMBLY ARRANGEMENT 4 (FA63/64)</p>
--	--	--

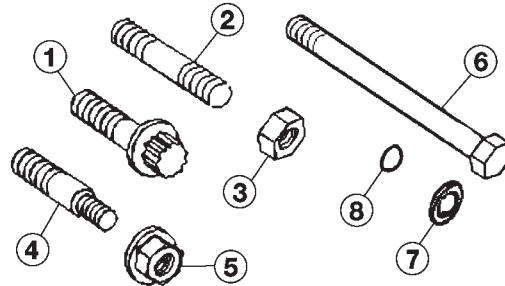
FR SERIES STUD KITS

FR63 SERIES STUD KIT - 20TK4525



ITEM	QTY	PART NUMBER	DESCRIPTION
1	3	19T37727	Capscrew, 12-Point (Metric)
2	2	20T37914	Stud
3	2	22T39282	Nut
4	1	20T37952	Stud
5	1	22T37605	Nut

FR64 SERIES STUD KIT - 20TK4542



ITEM	QTY	PART NUMBER	DESCRIPTION
1	2	19T37727	Capscrew, 12-Point (Metric)
2	2	20T37914	Stud
3	2	22T39282	Nut
4	1	20T39529	Stud
5	1	22T37605	Nut
6	1	19T40712	Capscrew
7	1	21T36448	Washer
8	1	12T36881	O-Ring

INSTRUCTION PACKET

FOR ALL FR SERIES • PART NO.52TK4522

ITEM	QTY	PART NUMBER	DESCRIPTION
1	2	36M35644	Frame Label
2	1	36T37507	Visor Label
3	1	36T35652	Dash Label
4	1	IN03-01	PTO Installation and Owners Manual



SP04-03 (Rev. 4-09) Printed in the U.S.A.
© Muncie Power Products, Inc. 2009

Muncie Power Products, Inc. Member of the Interpump Hydraulics Group
General Offices and Distribution Center • P.O. Box 548 • Muncie, IN 47308-0548
(765) 284-7721 • FAX (765) 284-6991 • E-mail info@munciepower.com
Web site <http://www.munciepower.com>

Drive Products, Exclusive Agents for Canada, ISO Certified by an Accredited Registrar

